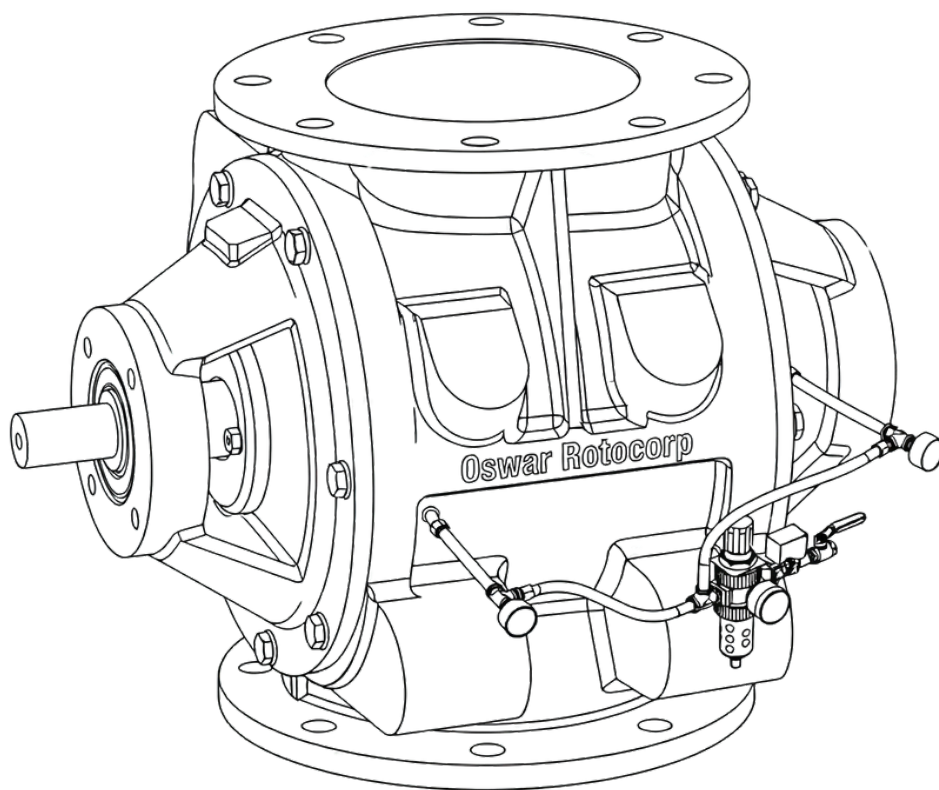



# BIOMASS INDUSTRY

## RENEWABLE FUEL HANDLING SYSTEMS



**OSWAR**  
rotocorp



Biomass power plants and fuel processing facilities handle diverse materials such as wood chips, sawdust, rice husk, bagasse, pellets, and agricultural residues. These materials vary in size, moisture content, and abrasiveness, requiring robust and consistent feeding systems to maintain stable combustion and energy output.

Oswar Rotocorp provides engineered flow control solutions designed for biomass conveying, metering, and isolation applications. Our equipment integrates into storage silos, bunkers, pneumatic conveying lines, and boiler feeding systems while ensuring consistent discharge and airlock efficiency.

## KEY PROCESS AREAS

BIOMASS FUEL  
DISCHARGE FROM  
SILOS

METERED FEEDING  
TO BOILERS

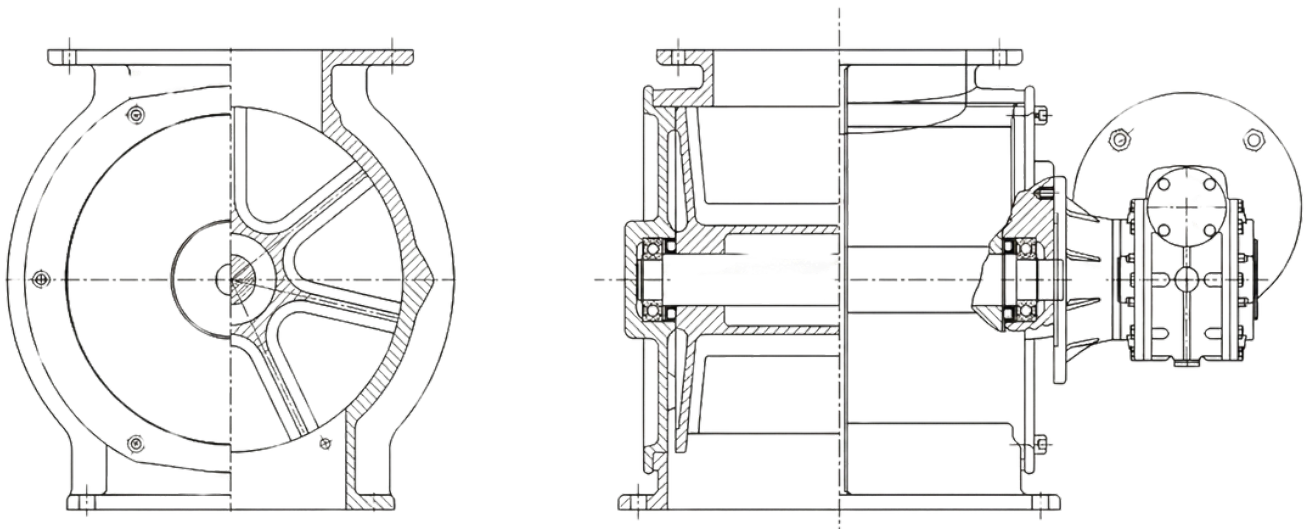
ASH HANDLING  
SYSTEMS

HOPPER &  
BUNKER  
ISOLATION

# BUILT FOR ABRASIVE MATERIALS & CONTINUOUS DUTY

Biomass materials can be fibrous, abrasive, and inconsistent in density. Equipment operating in these environments must withstand wear while maintaining reliable performance under continuous load.

Rotary Valves are engineered with reinforced housings and heavy-duty rotor construction to ensure consistent fuel feeding and airlock performance. Optimized internal clearances support stable discharge while minimizing leakage in pneumatic conveying and combustion feed systems.



## SOLUTION PORTFOLIO INCLUDES:

- Heavy-Duty Rotary Valves for Biomass Feeding
- Pneumatic Conveying Rotary Valves
- Slide Gate Valves for Silo & Bunker Isolation
- Diverter Valves for Multi-Line Distribution
- Flap / Gravity Gates for Dust & Ash Handling

# SUPPORTING STABLE & SUSTAINABLE ENERGY PRODUCTION

- **Controlled & Uniform Fuel Feeding**
- **Improved Combustion Stability**
- **Reduced Air Leakage & Energy Loss**
- **Enhanced Equipment Durability**
- **Lower Maintenance Frequency**
- **Reliable Operation in High-Wear Conditions**



# OSWAR

## rotocorp

### **Corporate Office**

Jaipur, Rajasthan India  
Nagpur, Maharashtra India

### **Sales Inquiries**

[info@oswarrotocorp.com](mailto:info@oswarrotocorp.com)

### **Helpline**

[+44 7917 128505](tel:+447917128505) | +91 77422 36474

**Copyright** © 2026 OSWAR ROTOCORP. All Rights Reserved. OSWAR® is a registered trademark of **OSWAR ROTOCORP**. This brochure makes no offers, representations or warranties (express or implied), and information and data contained in this brochure are for general reference only and may change at any time.